

# Eiffel Tower (Night and Day; France): Assembly Instructions

Canon® is a registered trademark of Canon Inc. © Canon Inc.  
© PAOPAO, Inc



## PAPER CRAFT

<http://www.canon.com/c-park/en/>

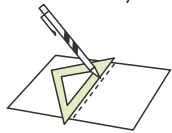


View of completed model

\*This model was designed for Papercraft and may differ from the original in some respects.

### Assembly Instructions: Six A4 sheets (No.1 to No.6)

\*Build the model by carefully reading the Assembly Instructions, in the parts sheet page order.



\*Hint: Trace along the folds with a ruler and an exhausted pen (no ink) to get a sharper, easier fold.

### Assembly Instructions



**Mountain fold(dotted line)**  
Make a mountain fold.



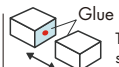
**Valley fold(dashed and dotted line)**  
Make a valley fold.



**Scissors line(solid line)**  
Cut along the line.



**Cut in line(solid line)**  
Cut along the line.



**Glue**  
The glue spot(colored dot) shows where to apply the glue.



**Glue spot(Red dot)**  
Glue parts with the same number together.



**Glue spot(Green dot)**  
Glue within the same part.



**Glue spot(Blue dot)**  
Glue to the rear of the other part.

#### Tools and materials



Scissors, set square, glue(We recommend stick glue), pencil, used ballpoint pen, toothpicks, tweezers, (useful for handling small parts)

#### Assembly tip



Before gluing, crease the paper along mountain fold and valley fold lines and make sure rounded sections are nice and stiff.

#### Caution



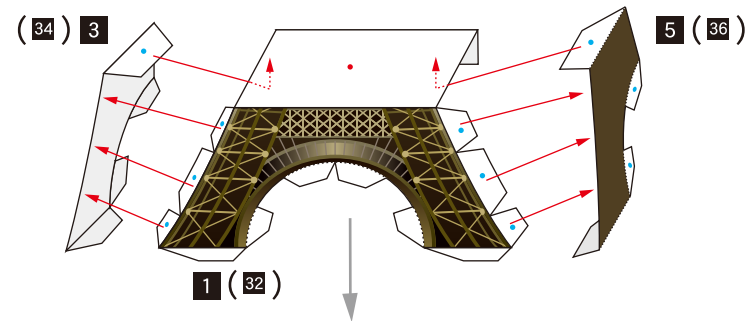
Glue, scissors and other tools may be dangerous to young children so be sure to keep them out of the reach of young children.

Before starting assembly:Writing the number of each section on its back side before cutting out the sections is highly recommended.  
(\* This way, you can be sure which section is which even after cutting out the sections.)

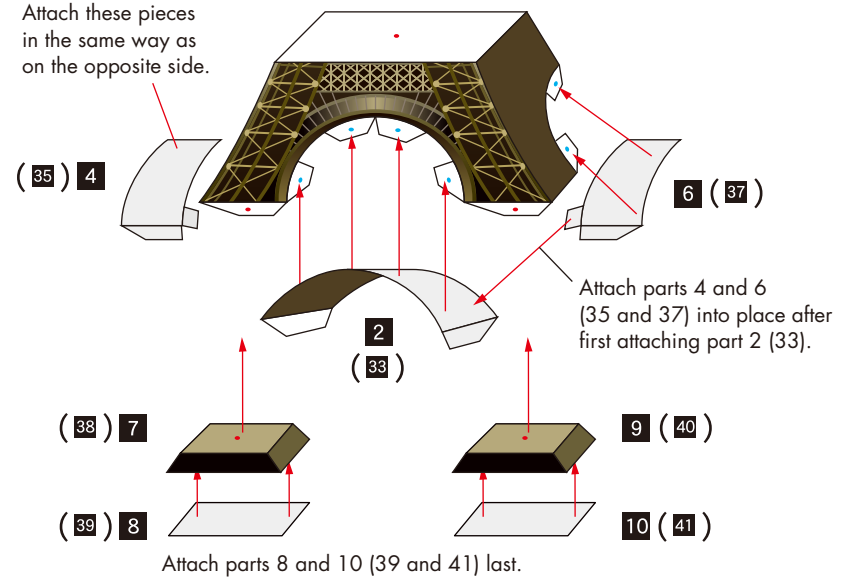
→ Indicates where sections should be glued together.

\* In addition to the combined day-night model, you can also build separate day and night Eiffel Tower models.

[1] Assemble the tower structure (the base below the pillars).  
Attach the rear surface parts after first attaching the side surface parts into place.



Attach these pieces in the same way as on the opposite side.



\* Assemble the tower (night) parts in the same way.  
Tower (night) part numbers are indicated in parentheses above.

# Eiffel Tower (Night and Day; France): Assembly Instructions

Canon® is a registered trademark of Canon Inc. © Canon Inc.  
© PAOPAO, Inc

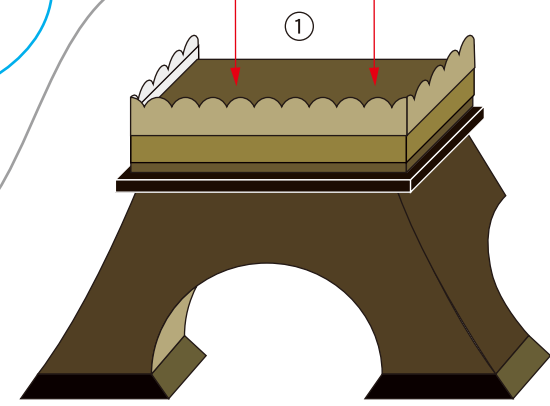
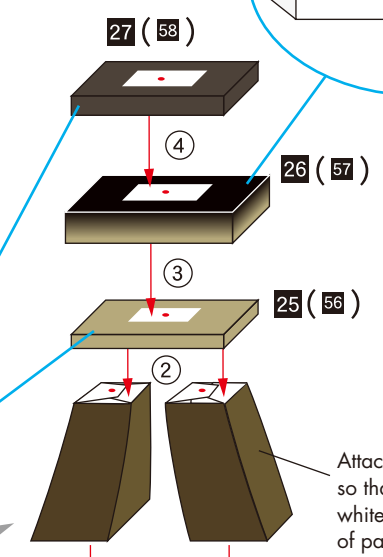
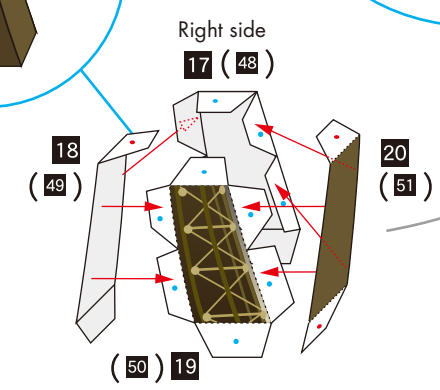
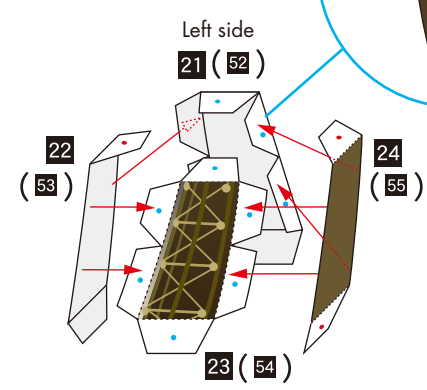
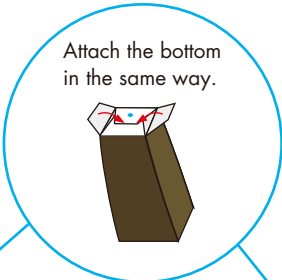
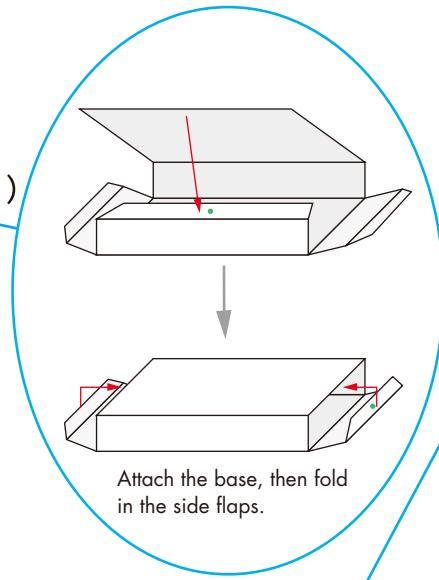
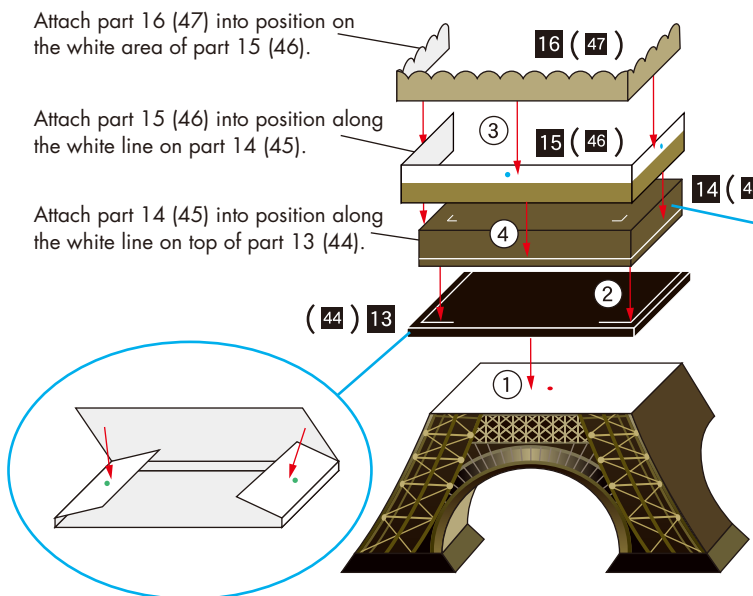


[2] Assemble the structure by putting the parts together in numbered order, aligning the printed symbols appearing on the parts.  
\* Assemble these parts so that the structure is flush with the background.

Attach part 16 (47) into position on the white area of part 15 (46).

Attach part 15 (46) into position along the white line on part 14 (45).

Attach part 14 (45) into position along the white line on top of part 13 (44).



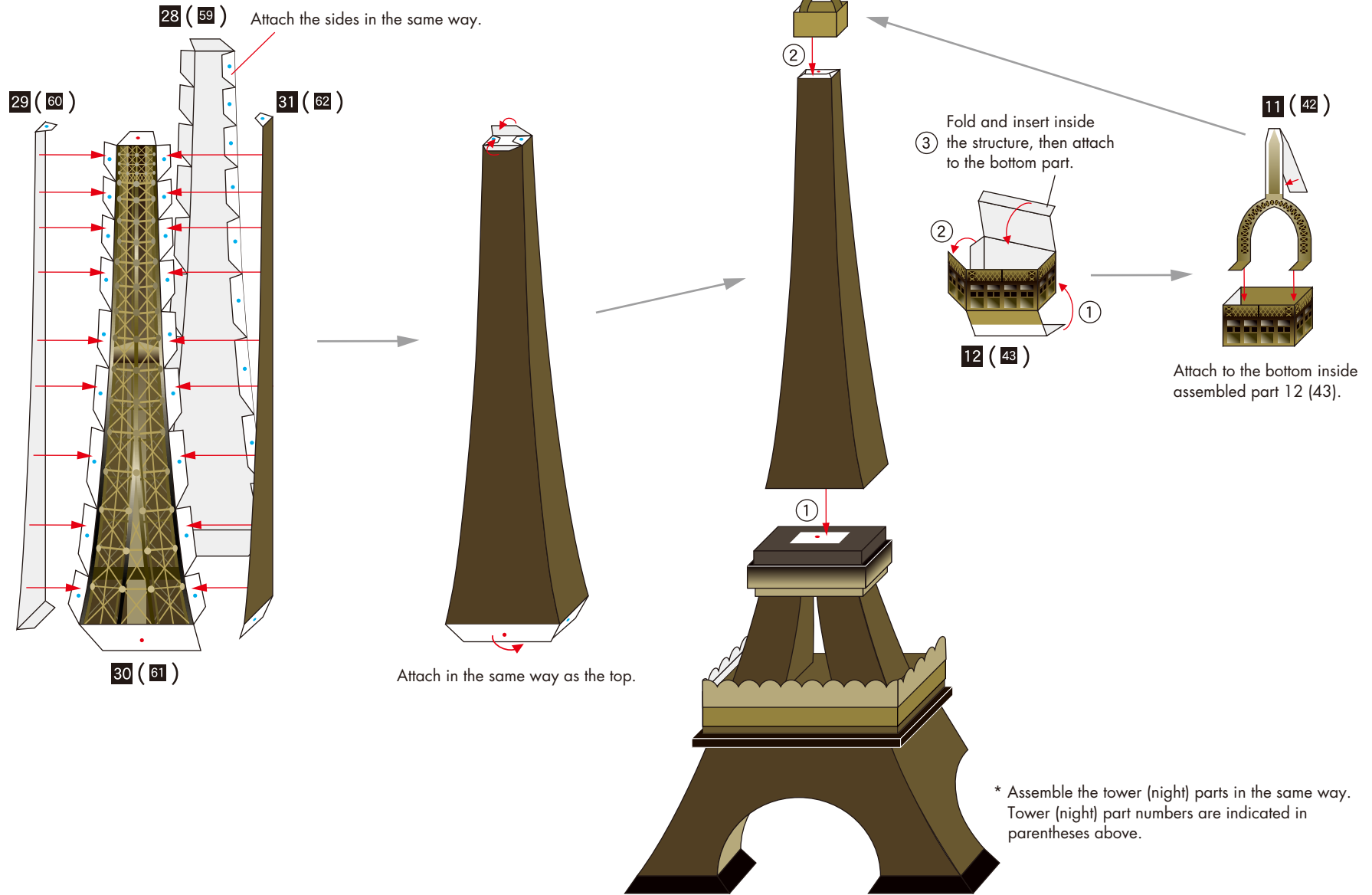
\* Assemble the tower (night) parts in the same way.  
Tower (night) part numbers are indicated in parentheses above.

# Eiffel Tower (Night and Day; France): Assembly Instructions

Canon® is a registered trademark of Canon Inc. © Canon Inc.  
© PAOPAO, Inc



[3] Assemble the structure.  
\* Assemble these parts so that the structure is flush with the background.

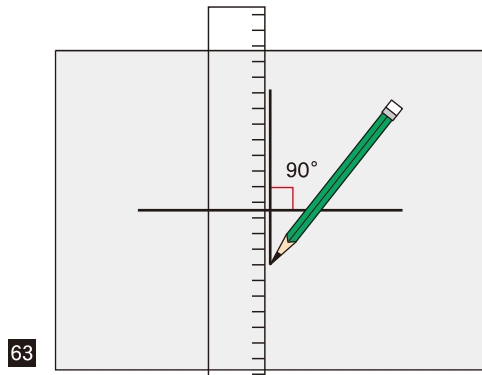


# Eiffel Tower (Night and Day; France): Assembly Instructions

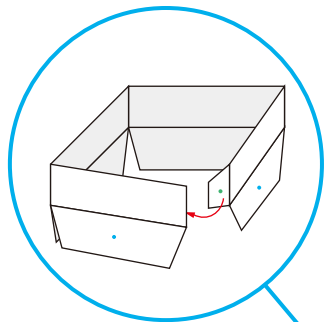
Canon® is a registered trademark of Canon Inc. © Canon Inc.  
© PAOPAO, Inc



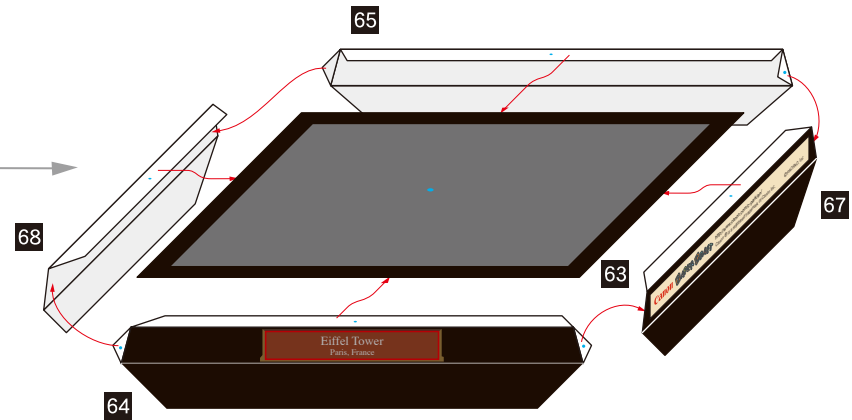
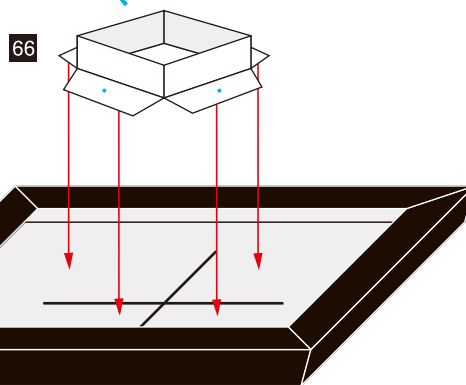
[4] Assemble the base.



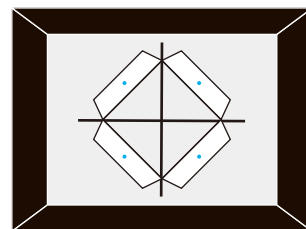
Before attaching the parts, draw lines crossing perpendicularly at the center on the reverse side of part 63.



Turn the base upside down and attach part 66 to align with the lines you drew in the previous step.



After attaching part 66, turn the base right-side up again.



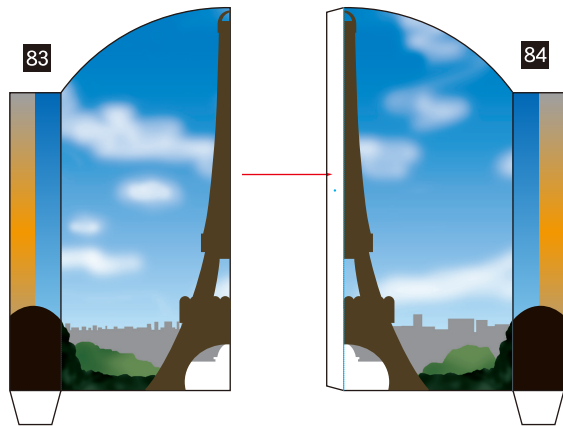
View from below

# Eiffel Tower (Night and Day; France): Assembly Instructions

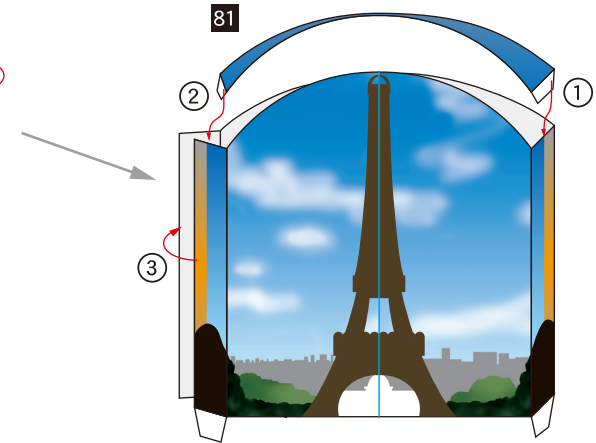
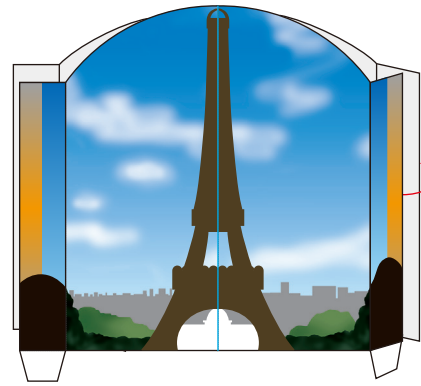
Canon® is a registered trademark of Canon Inc. © Canon Inc.  
© PAOPAO, Inc



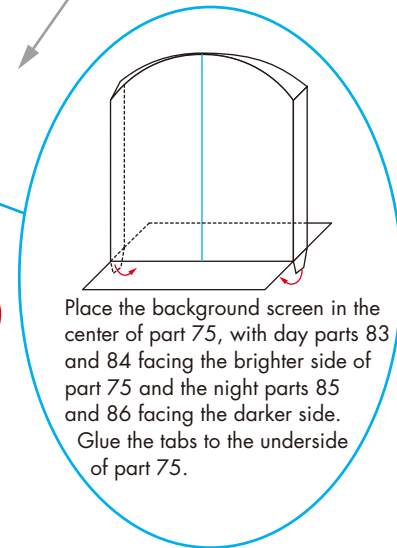
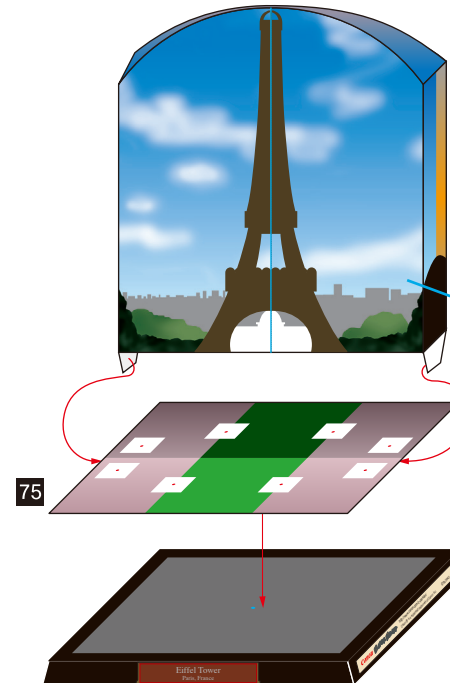
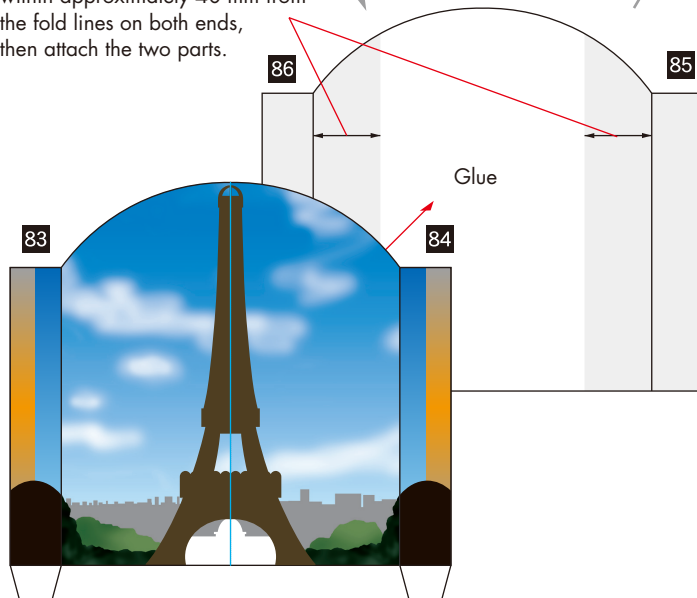
[5] Assemble the background screen.



Attach the night background screen in the same way. **85** and **86**



Apply glue to the entire region within approximately 40 mm from the fold lines on both ends, then attach the two parts.



Place the background screen in the center of part 75, with day parts 83 and 84 facing the brighter side of part 75 and the night parts 85 and 86 facing the darker side. Glue the tabs to the underside of part 75.

# Eiffel Tower (Night and Day; France): Assembly Instructions

Canon® is a registered trademark of Canon Inc. © Canon Inc.  
© PAOPAO, Inc



[6] Assemble the background trees.

(78) 72 \* To make gluing easier, bend these to curve them before gluing them into place.

(79) 73

(77) 71

74 (80)

As the final step, fold inward and glue into place.

As the final step, insert this tab into the interior.

69 70 on the opposite side (76 82)

Position these (five) trees in a visually balanced manner. Assemble the night parts on the opposite side from the day parts, in the same way.

\* Night part numbers are indicated in the parentheses above.

[7] Final assembly of the model

\* Glue the Eiffel Tower into place in the center in a manner you feel is visually balanced.

Finished!

Glue into place to align the curves.